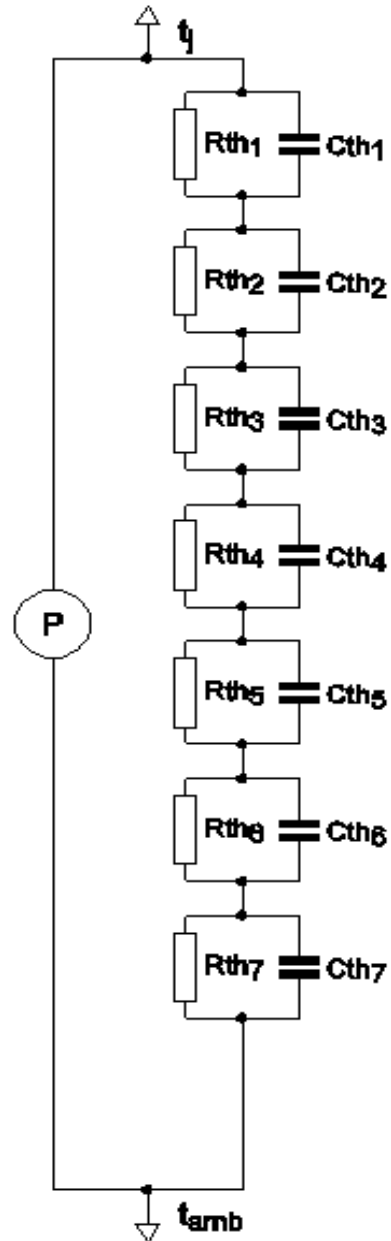


SPICE thermal model

PSMN013-30YLC

Symbol	Parameter	Conditions	Min	Typ	Max	Unit
$R_{th(j-mb)}$	thermal resistance from junction to mounting base		-	-	5.83	K/W

C_{th1}	8.461E-06 F
C_{th2}	7.249E-05 F
C_{th3}	4.968E-05 F
C_{th4}	9.398E-04 F
C_{th5}	3.434E-04 F
C_{th6}	6.112E-03 F
C_{th7}	7.177E-03 F
R_{th1}	8.689E-03 Ω
R_{th2}	1.726E-02 Ω
R_{th3}	1.165E-01 Ω
R_{th4}	1.470E-01 Ω
R_{th5}	1.253E+00 Ω
R_{th6}	2.239E+00 Ω
R_{th7}	2.049E+00 Ω



Part: PSMN013-30YLC
 Date: 17/9/2015
 Model Rth 5.83 K/W